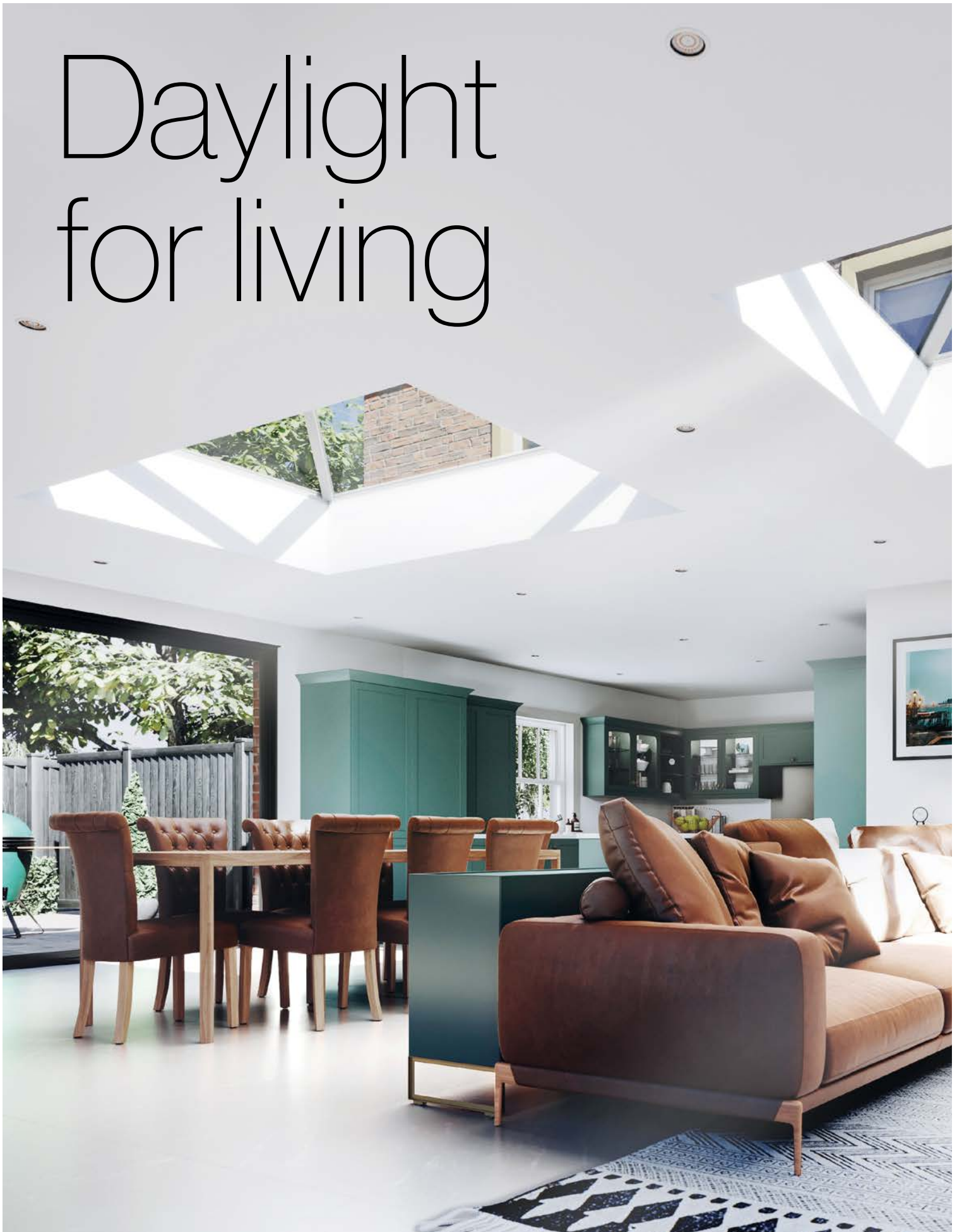


Daylight for living



Choose Light

Don't compromise on quality

Brett Martin's sophisticated range of flat glass rooflights and roof lanterns add light and life to your home, with the peace of mind that comes with dealing with a leading UK expert in daylight systems. We are passionate about the impact of natural light on living spaces and the positive impact it has on the lives of those making their home there.

Our vast experience in creating daylight systems in every conceivable setting brings a depth of expertise shared by few, making us the ideal source for the right solution to add value to your homes.



Safer

Brett Martin: where the safest choice is standard.

We never compromise on your safety, so you won't have to make a choice on what's best for your family.

Every glass rooflight we produce features high performance glazing units with laminated inner panes, the only safe choice for overhead glazing.*

Laminated inner panes prevent glass falling into the building when accidentally broken, by a falling object for example. This additional safety feature offers peace of mind over other glass rooflights on the market which feature unsafe* toughened glass inner panes.



Laminated
Glazing as
standard



*In accordance with Rooflight Association guidance

Lantern



Brett Martin brings roof lanterns to a new level.

With slimline profiles, the Brett Martin Roof Lantern's ultra fine detailing provides an attractive appearance whilst allowing more daylight to penetrate your living space.

With standard sizes of up to 3m x 2m available as well as bespoke options, this stylish roof lantern can transform even the most substantial of extension projects.



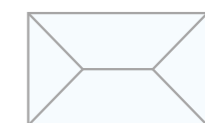


MORE LIGHT, YOUR WAY.

The natural light provided by a Brett Martin Roof Lantern is an essential addition to extended living areas, enhancing the quality of your space, letting you access the proven benefits of exposure to daylight and a connection with the natural environment.

Choose to add light in a way which suits your property, with a variety of sizing and glazing options available.

Brett Martin's Contemporary 4 panel roof lantern design minimises the structure to maximise the daylight, while our Classic 6 panel design features additional glazing bars for a more traditional style.



Contemporary
4 Panel Lantern



Classic
6 Panel Lantern

Higher Performance



SAFE
EASY
EFFICIENT



Our roof lantern is designed not only to look better but also to perform better in terms of safety, energy efficiency and lower maintenance.

Because we prioritise the safety provided by every lantern, we only supply glazing units with laminated inner panes

for protection from falling glass if accidentally broken.

The design of the slimline aluminium profiles has been optimised to work in conjunction with the thermally efficient double glazed units, reducing heat loss, protecting the energy efficiency of your home.

Engineered for performance

Expertly designed to minimise the number of parts, maximising the ease of fitting, for efficiency now and throughout the lifetime of the lantern.

Precision design removes the need for sealants in installation, apart from the contact of the kerb bar to the builders upstand.

Laminated inner panes are standard, prioritising the safety of those below.

Easy-fit glass stops, hook on to the kerb bar, simplifying the glazing process.

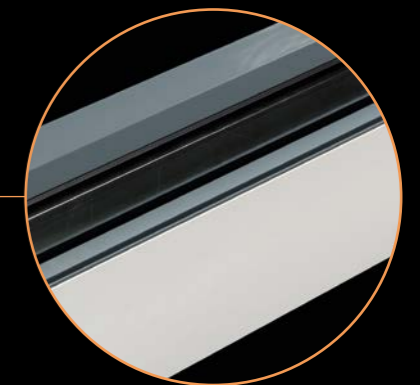
Innovative base frame design, provides an effective drip edge for superior weathertightness.

Precision castings at all junctions provide premium appearance, strength, weathertightness and security.

Super slim bar depth of just 60mm, maximises the light transmission into the space below.

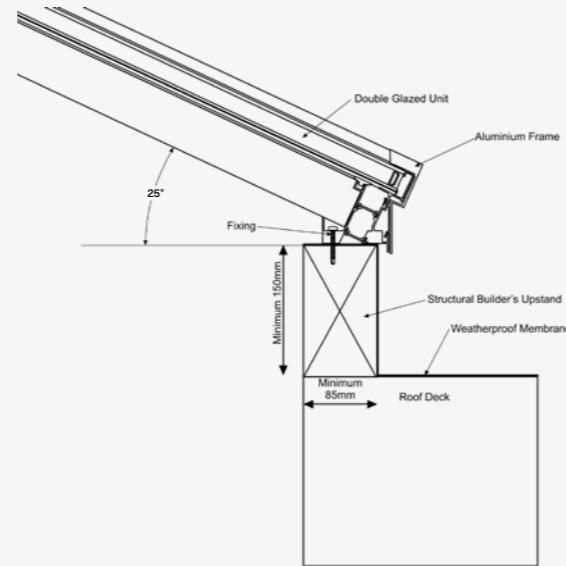
Pre-machined holes and slots throughout, maintains the integrity of the components and provides fast, easy assembly.

Co-extruded gaskets on inner bars eliminates 'gasket slip' during installation, ensuring weathertight glazing.



The Brett Martin Roof Lantern is a hassle free way to improve the amount of daylight reaching your living area.

By reducing the number of parts required and the need for sealants within the lantern, we have simplified the installation process for a low maintenance, weathertight solution. A laminated inner pane ensures safety is a top priority for your home.



Innovative product design facilitates simple but effective, watertight installation.

Precision aluminium castings

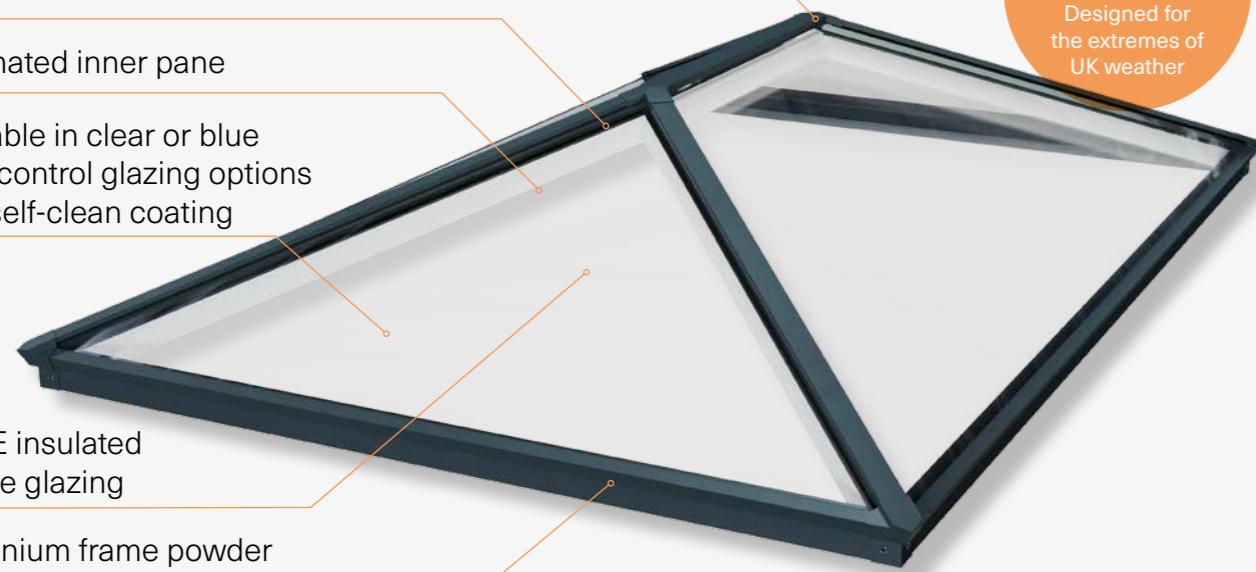
Slender aluminium frame

Laminated inner pane

Available in clear or blue solar control glazing options with self-clean coating

Low-E insulated double glazing

Aluminium frame powder coated internally and externally in combinations of RAL 7016 grey, RAL 9010 white and RAL 9005 black



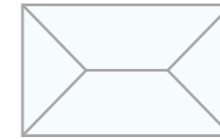
Glazing (Vertical)

10 YEAR WARRANTY AVAILABLE

PRODUCT OPTIONS

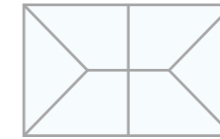
Standard Sizes

Contemporary 4 Panel Lantern



- 1500mm x 1000mm
- 2000mm x 1000mm
- 2000mm x 1500mm
- 2500mm x 1000mm
- 2500mm x 1500mm
- 2500mm x 2000mm
- 3000mm x 1000mm
- 3000mm x 1500mm
- 3000mm x 2000mm

Classic 6 Panel Lantern



- 1500mm x 1000mm
- 2000mm x 1000mm
- 2000mm x 1500mm
- 2500mm x 1000mm
- 2500mm x 1500mm
- 2500mm x 2000mm
- 3000mm x 1000mm
- 3000mm x 1500mm
- 3000mm x 2000mm

Glazing

- Standard
- Clear self-clean
 - Blue Solar self-clean
- Options
- Aqua solar self-clean
 - Neutral solar self-clean

Frame Colour

Aluminium frame powder coated internally and externally in combinations of RAL 7016 grey, RAL 9010 white and RAL 9005 black.

Rapid single point delivery in 3-5 days from order (standard sizes only).

Bespoke Sizes

Bespoke sizes available. Typically delivered in 15-17 days.



Brett Martin
Daylight Systems Ltd
Sandford Close
Aldermans Green Industrial Estate
Coventry, West Midlands
CV2 2QU

3017/0524

t: +44 (0) 24 7660 2022
f: +44 (0) 24 7660 2745
e: daylight@brettmartin.com

For the latest information visit
brettmartin.com

